

# 2003 SONY MOBILE PRODUCT GUIDE



- 4 x 10" Polypropylene Woofer Cone
- 1-13/16" Paper Cone Tweeter
- 150W Peak Power (35W RMS)
- Drop-in Replacement for 4 x 10" Speakers

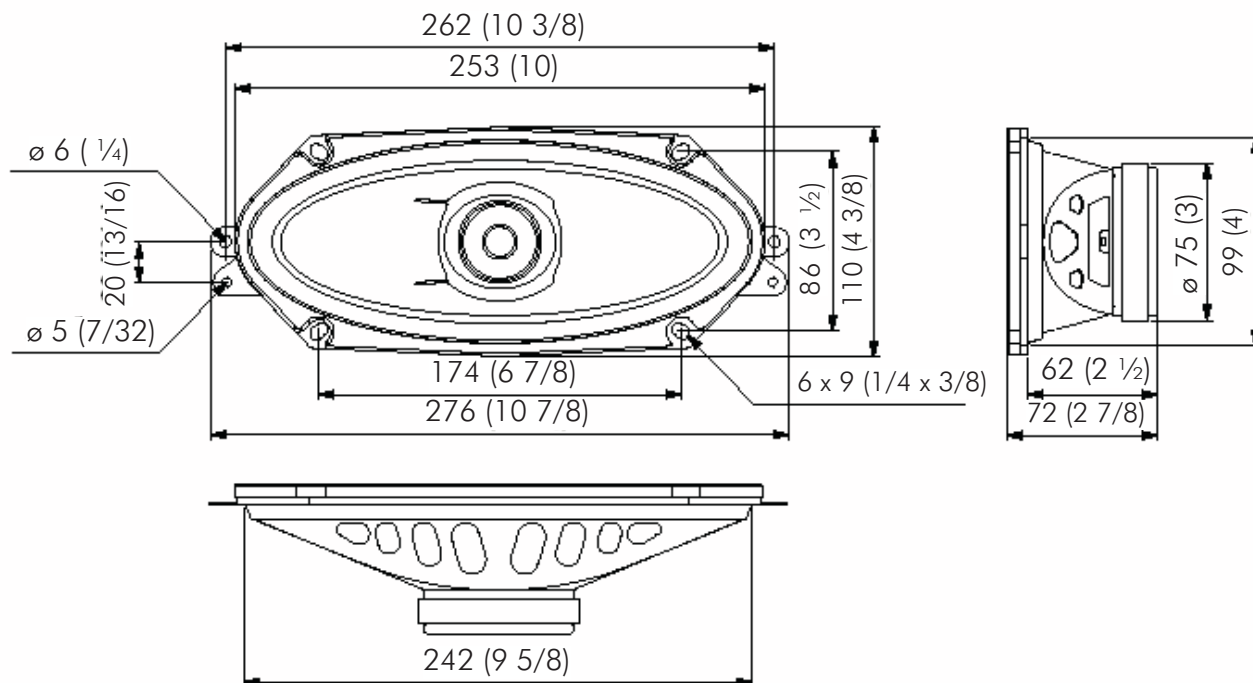
## XS-W4121 2-way Speaker

### Specifications

Speaker	Coaxial 2-way: Woofer 10 x 25 cm (4 x 10 in.) cone type Tweeter 4.5 cm (1 13/16 in.) cone type
Peak power	150 watts
Rated power	35 watts
Impedance	4 ohms
Sensitivity	91 dB/W/m
Frequency response	30 – 23,000 Hz
Mass	Approx. 770 g (1 lb. 11 oz.) per speaker

### Dimensions

Unit: mm (in.)



Design and Specifications subject to change without notice.

**SONY**<sup>®</sup>