

2002 SONY MOBILE PRODUCT GUIDE



XS-HF600G **5 1/4" Component Separates**

- 1-piece Aluminum Cone/ Voice Coil Former
- 170W max input power (55W RMS)
- Gold-plated 5-way Binding Posts
- Die-cast Aluminum Chassis
- Aluminum Xplōd® Heatsink
- Neodymium & Samarium Magnets
- 1" Aluminum Dome Tweeter
- Variable mounting
- 12dB/oct HP/LP Crossover
- Gold screw terminals

Specifications

Speaker	Separate type, 2-way Woofer 15 cm (6 in.), cone type Tweeter 2.5 cm (1 in.), dome type
Maximum input power	170 W
Rated input power	55 W
Impedance	4 ohms
Sensitivity	90 dB/W/m
Frequency response	32 – 30,000 Hz
Crossover frequency	5,000 Hz, –12 dB/oct
Mass	Woofer: Approx. 880 g (1 lb. 12 oz.) per speaker Tweeter: Approx. 60 g (2 oz.) per speaker Passive crossover network: Approx. 170 g (6 oz.)

Features

The XS-HF500G consists of two tweeters and two woofers.

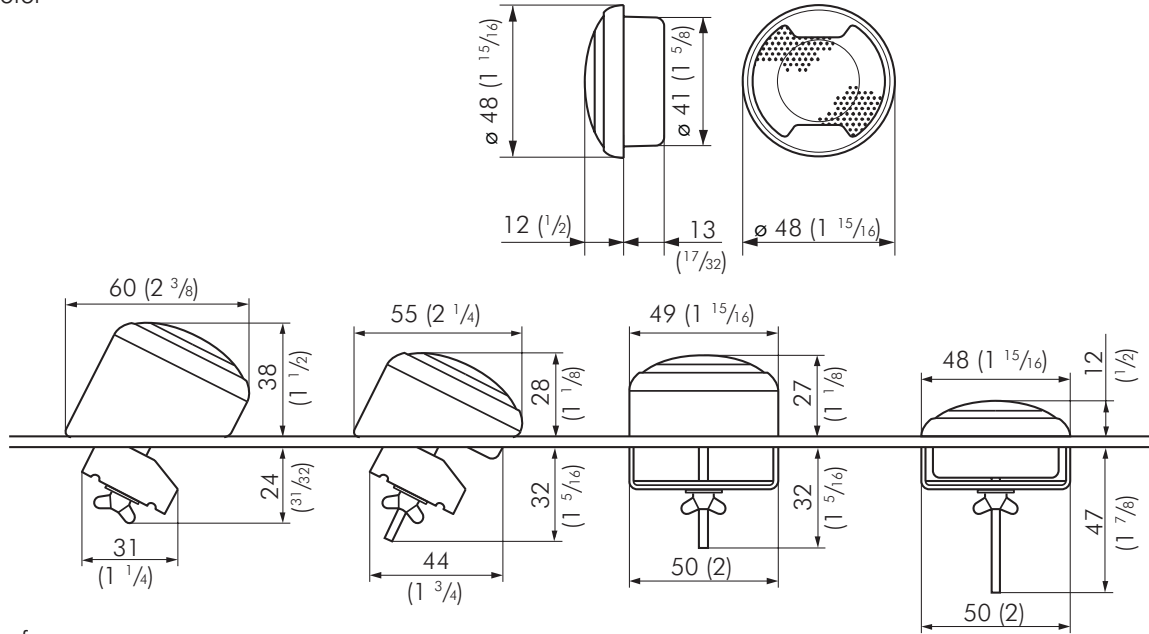
- The tweeters and woofers can be mounted in separate locations.
- The innovative aluminum vibrator is employed on both tweeters and woofers, ensuring greatest sound reproduction of powerful bass and speedy treble.
- The tweeters can be mounted on the front door panels or dashboard.
- High quality passive crossover network supplied.

**XS-HF600G
5 1/4" Component Separates**

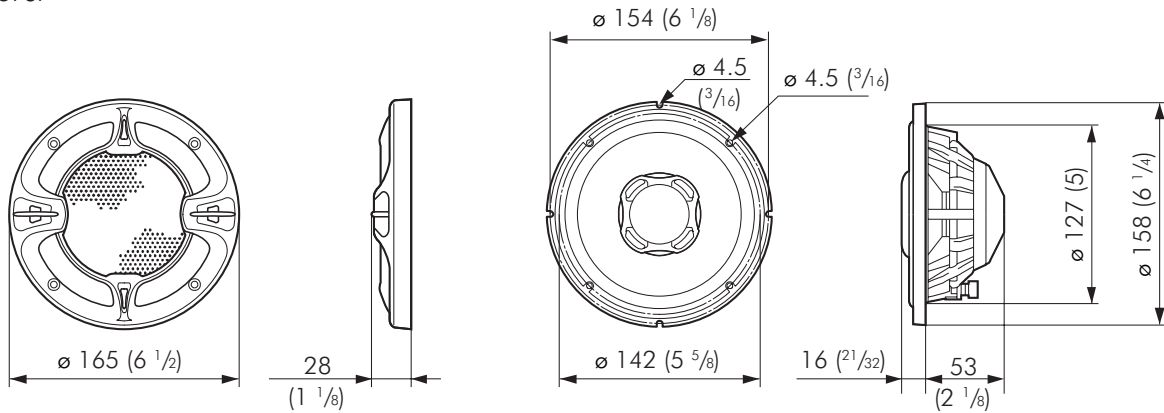
Dimensions

Unit: mm (in.)

Tweeter



Woofer



Passive crossover network

