

## XS-V1621

6 1/2" 2-Way HOP Speakers



- 130 W Max Input Power
- 6 1/4" Highly Oriented Polyolefine Woofer
- 1 7/16" Mid, 1/2" Dome Tweeter
- Foam Surround
- 1 3/4" Depth, Lo-Profile Tweeter

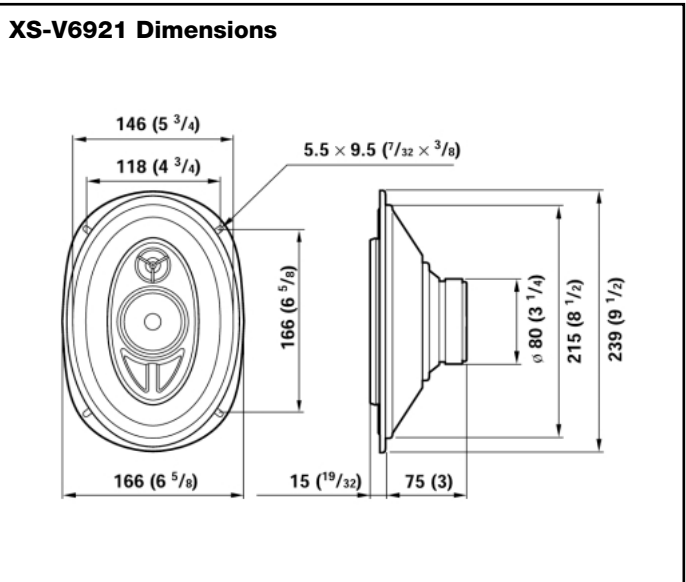
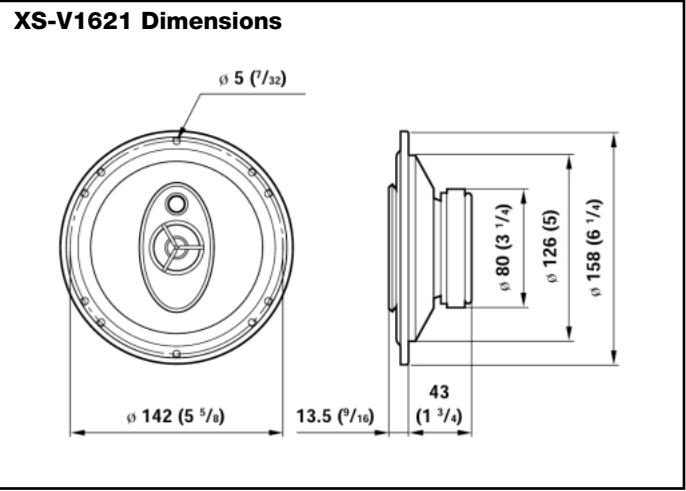
## XS-V6921

6 x 9" 2-Way HOP Speakers



- 180 W Max Input Power
- 6 x 9" Highly Oriented Polyolefine Woofer
- 2 5/8" Mid, 1" Dome Tweeter
- Foam Surround
- Rigid 1.2mm Steel Frame

Specifications	
Speaker	Coaxial 3-way
	<p><b>XS-V1621</b> Woofer: 15.8 cm (6 1/4 in.), HO Polyolefine Cone;                      Midrange: 3.5 cm (1 7/16 in.), HO Polyolefine Cone;                      Tweeter: 1.1 cm (7/16 in.), PolyEtherImide Dome</p> <p><b>XS-V6921</b> Woofer: 16.6 x 24 cm (6 5/8 x 9 1/2 in.), Polyolefine Cone;                      Midrange: 6.6 cm (2 5/8 in.), HO Polyolefine Cone;                      Tweeter: 2.5 cm (1 in.), PolyEtherimde Dome</p>
Maximum Input Power	<b>XS-V1621</b> 130 watts <b>XS-V6921</b> 180 watts
Rated Input Power	<b>XS-V1621</b> 35 watts <b>XS-V6921</b> 40 watts
Impedance	4 ohms
Sensitivity	<b>XS-V1621</b> 91 dB/W/m <b>XS-V6921</b> 91 dB/W/m
Frequency Response	<b>XS-V1621</b> 35-25,000 Hz <b>XS-V6921</b> 30-26,000 Hz
Crossover Frequency	N/A
Weight (per speaker)	<b>XS-V1621</b> Approx. 740g (1 lb. 10 oz.) <b>XS-V6921</b> Approx. 1.15 kg (2 lb. 9 oz.)



Design and specifications subject to change without notice.