

XS-V1630/V6920

6½" & 6 x 9" 3-Way Speakers

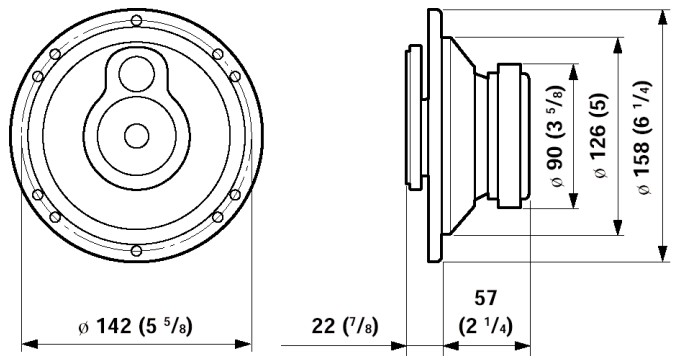


Ω 190 W Max Input Power
 Ω 6½" Highly Oriented Polyolefine Woofer
 Ω 2" HOP Mid, ½" Dome Tweeter
 Ω Center-Run Mid-Tweet Wire Path
 Ω 2⅛" Depth

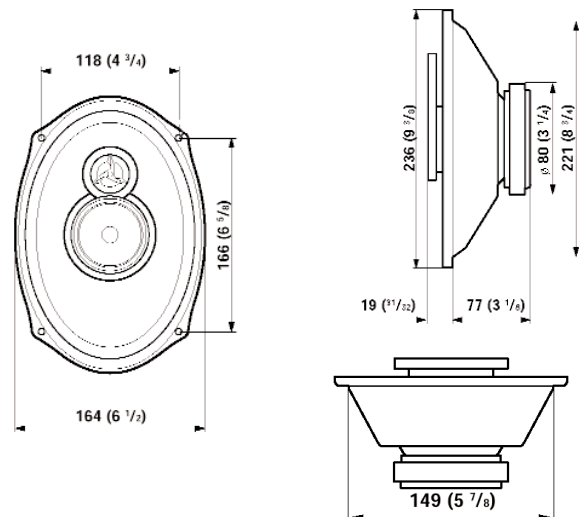
Ω 200 W Max Input Power
 Ω 6 x 9" Highly Oriented Polyolefine Woofer
 Ω 2⅝" Mid, 1" Dome Tweeter
 Ω Foam Surround
 Ω Rigid 1.2mm Steel Frame

Specifications	
Speaker	Coaxial 3-way
	XS-V1630: Woofer 16 cm (6½ in.), HO polyolefine cone Midrange 5.2 cm (2⅛ in.) HO polyolefine cone Tweeter: 1.3 cm (⅑/16 in.) PolyEtherimide dome
	XS-V6920: Woofer 16 x 24 cm (6⅜ x 9½ in.), polyolefine cone Midrange 6.6 cm (2⅝ in.) HO polyolefine cone Tweeter: 2.2 cm (⅞ in.), PolyEtherimide dome
Maximum input power	XS-V1630: 190 watts XS-V6920: 200 watts
Rated input power	XS-V1630: 50 watts XS-V6920: 40 watts
Impedance	4 ohms
Sensitivity	XS-V1630: 90dB / W / m XS-V6920: 93dB / W / m
Frequency response	XS-V1630: 30 - 26,000 Hz XS-V6920: 30 - 28,000 Hz
Crossover frequency	N/A
Mass (per speaker)	XS-V1630: Approx. 1.3 kg (2 lb.14oz.) XS-V6920: Approx. 1.4 kg (3 lb.1 oz.)

XS-V1630 Dimensions



XS-V6920 Dimensions



Speakers

Design and specifications subject to change without notice.