

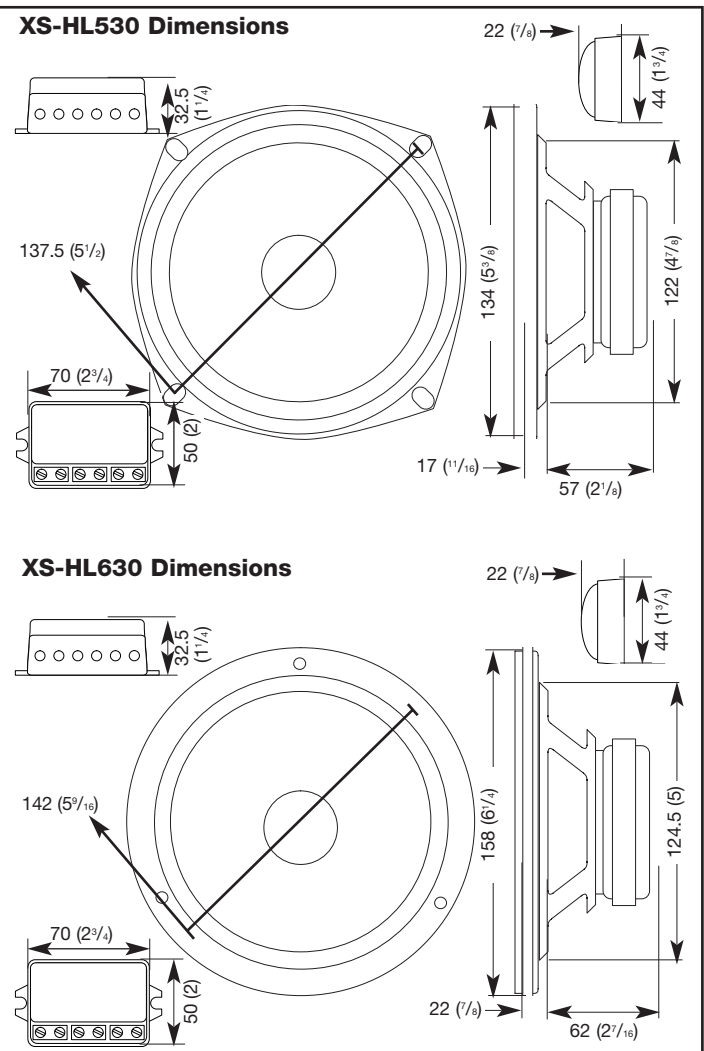
XS-HL530/HL630 5 1/4" & 6 1/2" 2-Way Speaker Systems



Ω 80 W Max Input Power
 Ω 5 1/4" Highly Oriented Polyolefine Woofer
 Ω 1" Silk Soft Dome Tweeter
 Ω Ferrite/Neodymium Magnets
 Ω 6/12dB/octave Separate Crossover Network

Ω 100 W Max Input Power
 Ω 6 1/2" Highly Oriented Polyolefine Woofer
 Ω 1" Silk Soft Dome Tweeter
 Ω Ferrite/Neodymium Magnets
 Ω 6/12dB/octave Separate Crossover Network

Speaker	Separate type, 2-way XS-HL530: Woofer 13 cm (5 1/4 in.), Highly oriented polyolefine cone type XS-HL630: Woofer 16 cm (6 1/2 in.), Highly oriented polyolefine cone type Tweeter 2.5 cm (1 in.), Soft dome type
Maximum input power	XS-HL530: 80 watts XS-HL630: 100 watts
Rated input power	XS-HL530: 30 watts XS-HL630: 30 watts
Impedance	4 ohms
Sensitivity	90dB / W / m
Frequency response	XS-HL530: 40 - 30,000 Hz XS-HL630: 30 - 30,000 Hz
Crossover frequency	Woofer: 5,000 Hz, -6dB/oct Tweeter: 5,000 Hz, -12dB/oct
Mass (per speaker)	XS-HL530: Approx. 750g (3 lb. 10 oz.) XS-HL630: Approx. 760g (3 lb. 11 oz.) Tweeter: Approx. 70g (2.5 oz.) Passive crossover network: Approx. 200g (7.1 oz.)
Included Accessories	Passive crossover network (2) Tweeter flush-mount kit (2) Tweeter angle spacer (2) Installation/connection set (1)



Design and specifications subject to change without notice.